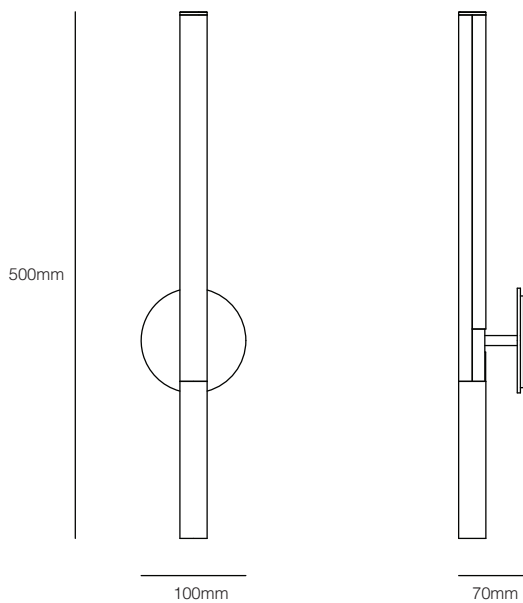




FORMATION WALL SCONCE

The core design is a patented set of interlocking extruded aluminium profiles. The light source is a high-powered LED with a matte polycarbonate diffuser. A marble tip and highly refined details evoke a subtle sense of luxury.



Warranty	12 Months
Mounting	Ceiling
Environment	Indoor
Light Source	24V warm white (3000K) LED
Voltage	24V
Power	7.2W
Supply Included	Yes -240V (AUS/NZ) / 120V(US) to 24V
Materials	Anodised / Powder coated Aluminium Marble Polycarbonate Diffuser

Body Finishes



Brushed black anodised

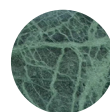


Brushed silver anodised

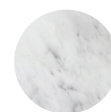


Brushed satin gold anodised

Marble Finishes



Verde Guatemala marble



Arabescato white marble



Nero Marquina marble